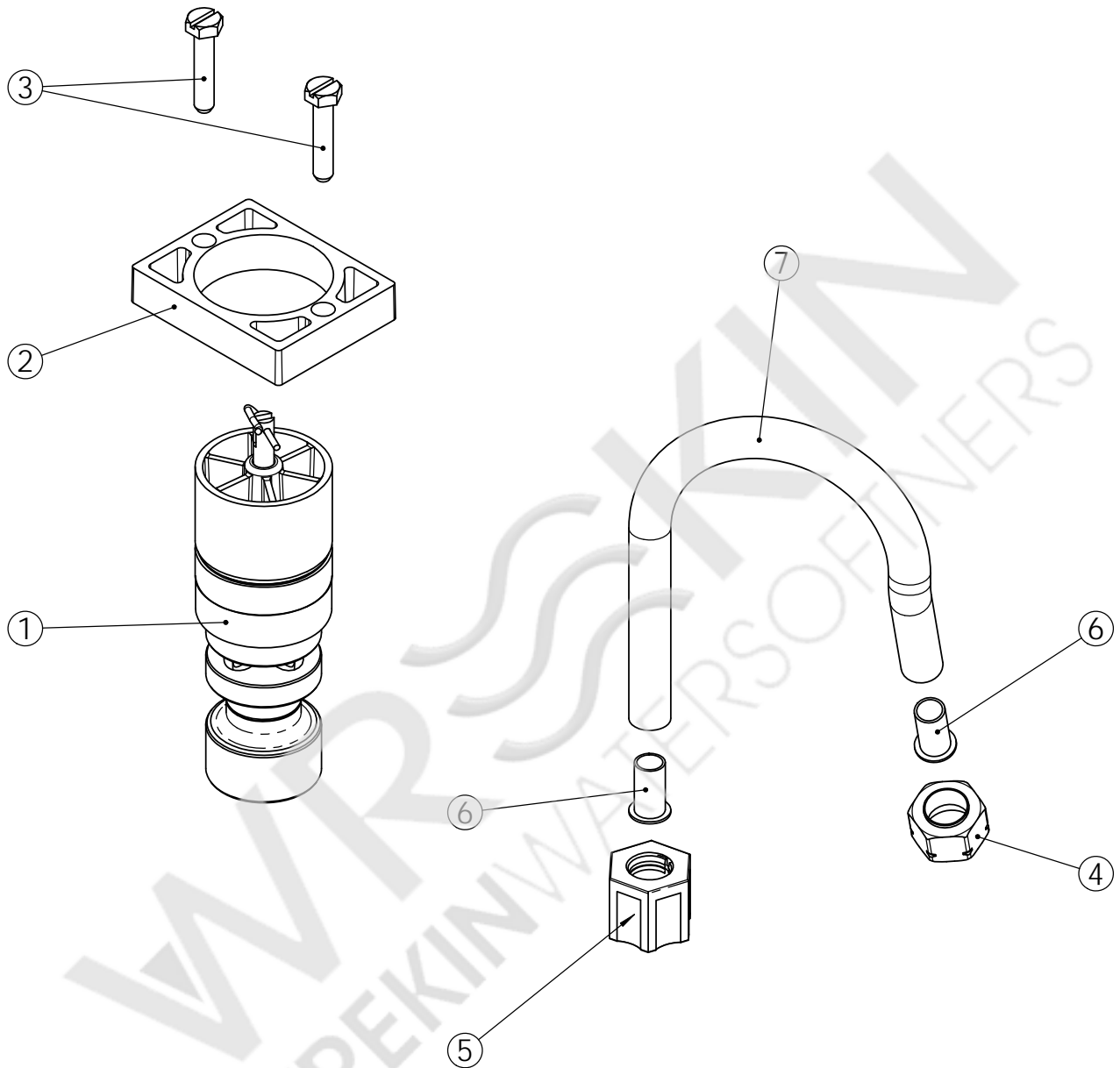


REVISIONS				
ECN	Rev.	Description	Date (dd/mm/yy)	Approved
F5074	B	REDRAWN ON CAD * TITLE DESIGNATION CHANGE * ADD PARTS *	5/11/09	MP/LD



### SPARE PARTS ONLY

ITEM	PART NUMBER	DESCRIPTION	QTE
1	26494-00	KIT NBP PISTON ASSY 2850	1
2	BR19339	SPACER, VALVE MOUNT, NHWB-P	1
3	26502	SCREW M6x25	2
4	BR15414	NUT,2900,W/SLEEVE	1
5	BR41056	NUT ASSY 1/2"PLASTIC	1
6	15415	FITTING, INSERT, 1/2", TUBE	2
7	BR19338	TUBE,BRINE,2850,NHWBP	1



KIT PISTON ASSY 2850 NBP 1710

**26494-03**